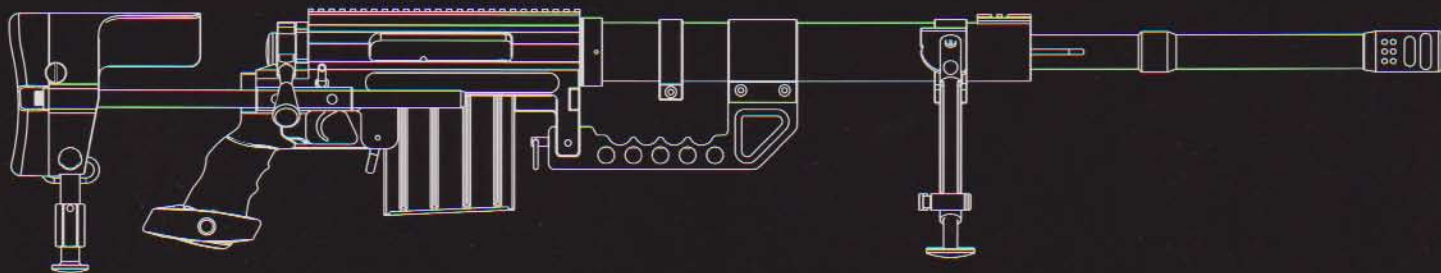


OPERATION'S MENU

LONG RANGE RIFLE

M200

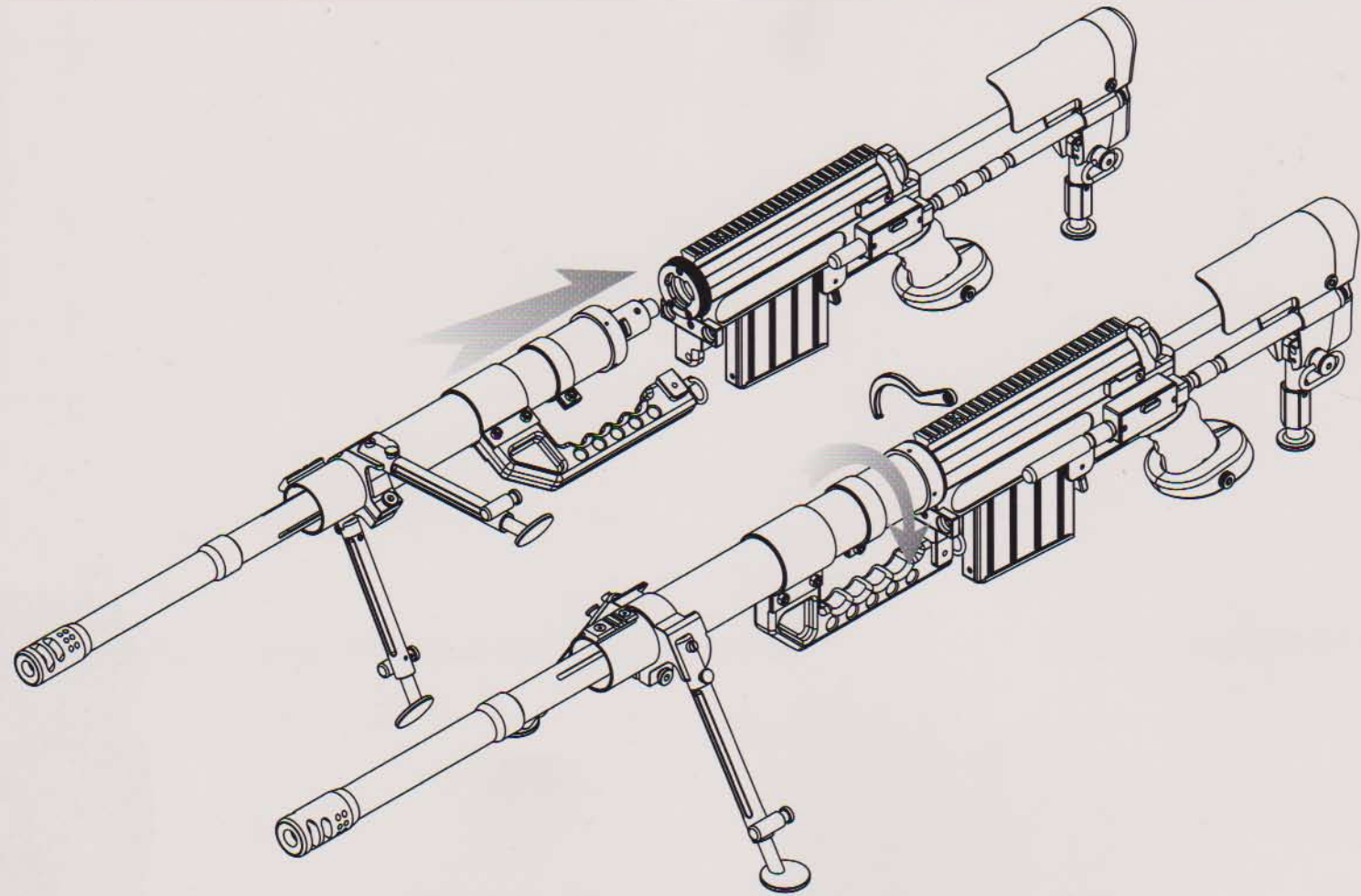


SAFETY WARNING

- . Do not aim or shoot a person or animal as the target.
- . Avoid pulling the trigger carelessly.
- . Always put the gun in a case or bag when you carrying it.
- . Always set the switch lever to the safety position.
- . Do not look into the gun muzzle.
- . Always wear eye protective gear.
- . Store the airsoft gun at the places out of reach by children.
- . Do not disassemble or modify the airsoft gun.

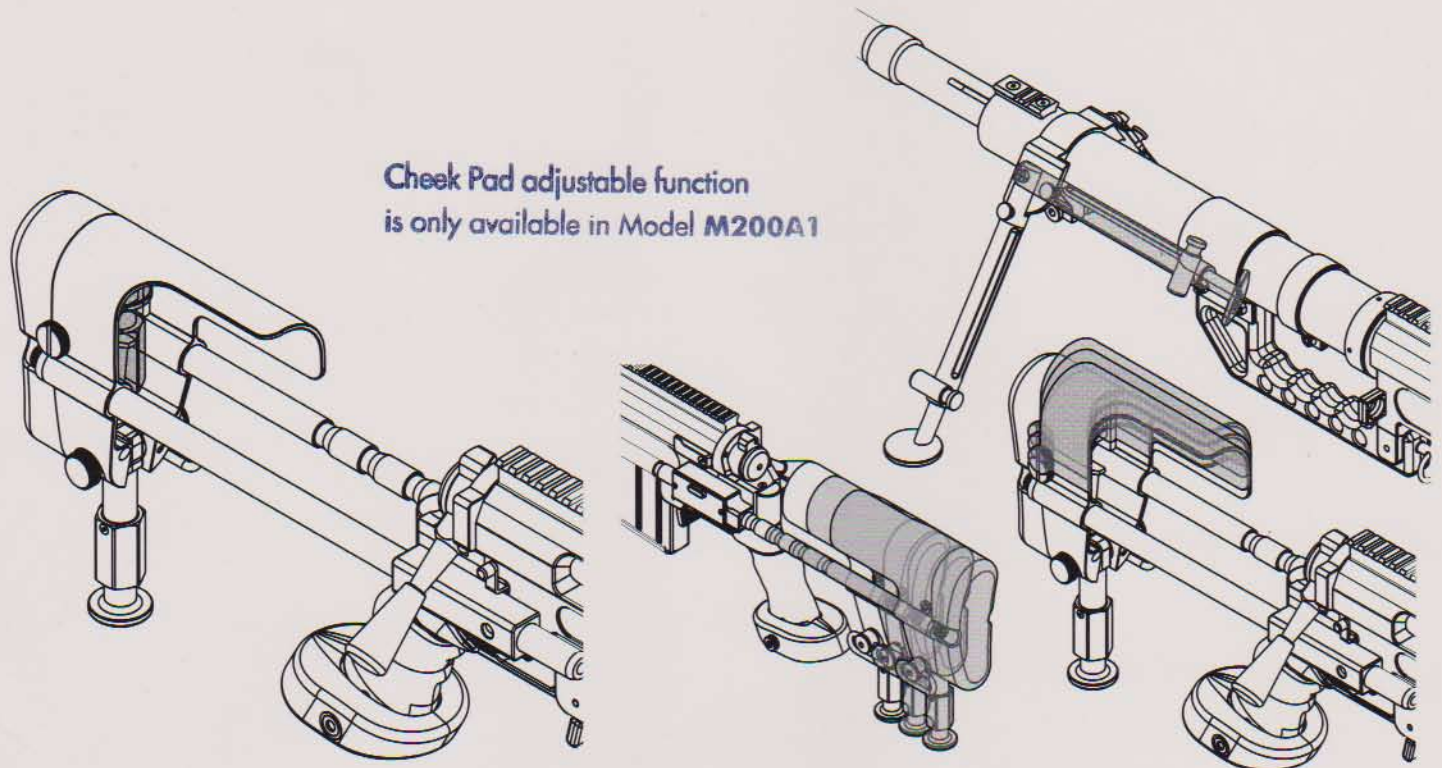
Beta
PROJECT

INSTALLATION

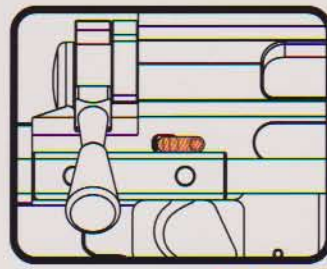
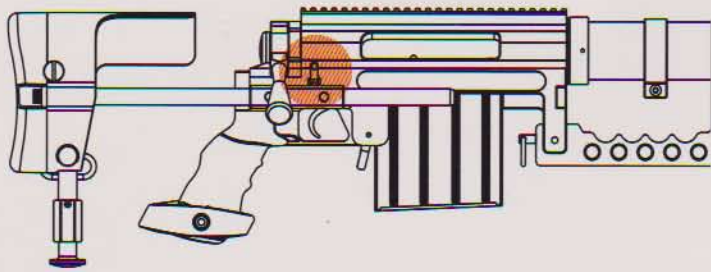


BIPOD & STOCK ADJUST

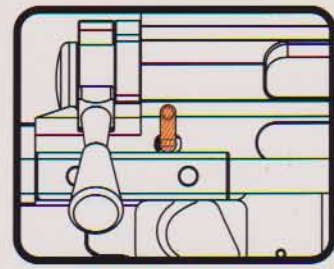
Cheek Pad adjustable function
is only available in Model M200A1



SAFETY

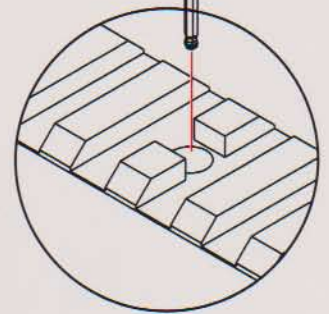
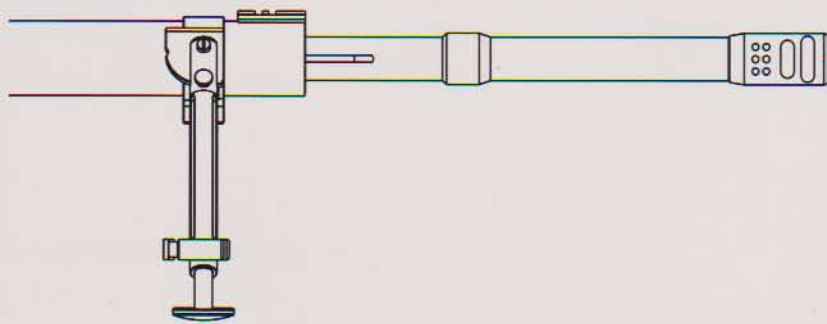


SAFETY

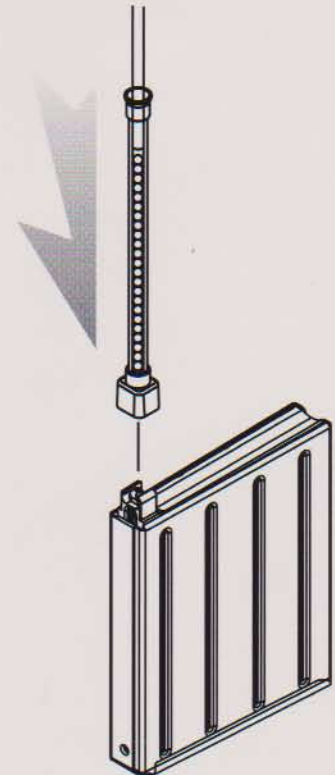
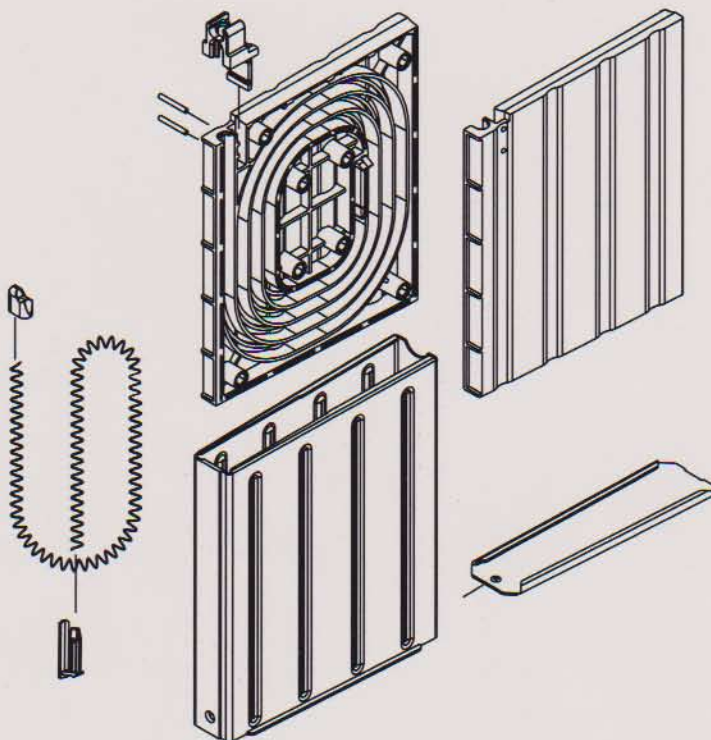


READY TO FIRE!

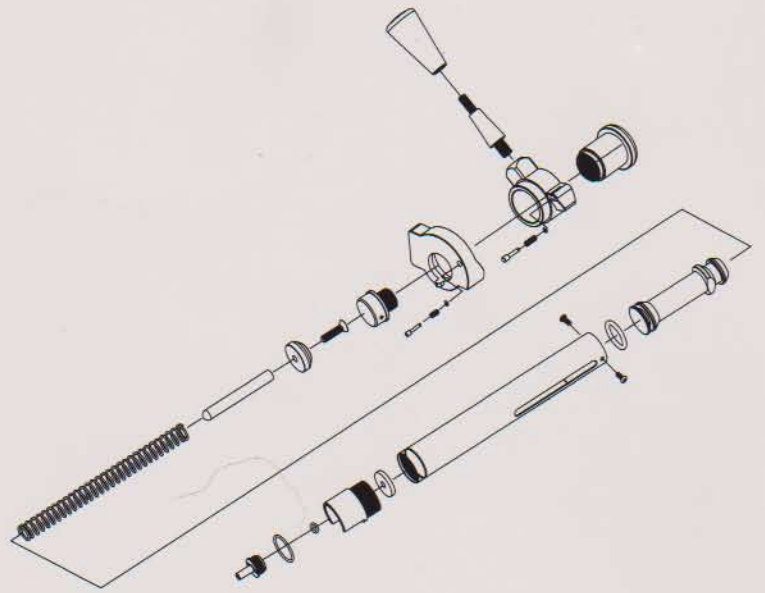
HOP-UP ADJUST



MAGAZINE ASSEMBLY & RELOAD



GEAR BOX



ASSEMBLY

